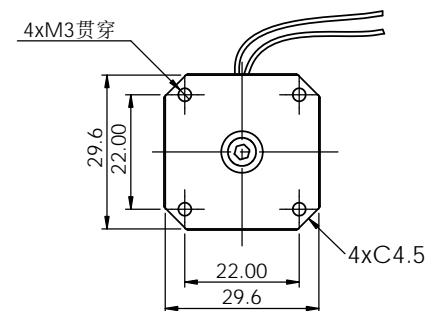
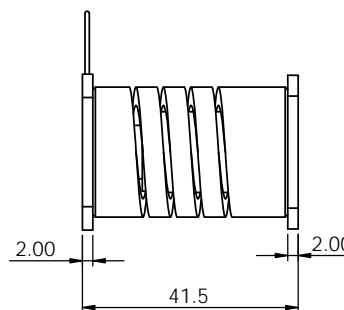
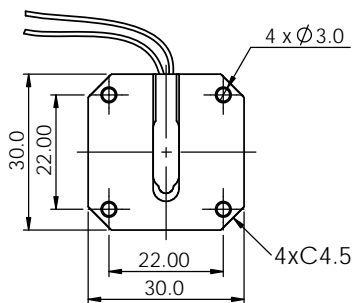
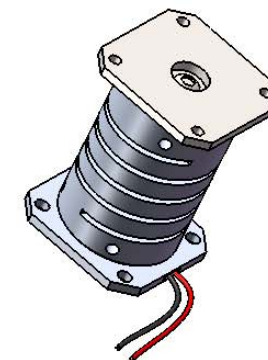


WINDING CONSTANT	TOL	SYM	UNITS	VALUE
DC RESISTANCE@155C	± 10%	R	OHMS	9.3
VOLTAGE @ Fp	NOMINAL	Vp	VOLTS	14
CURRENT @ Fp , 1SEC	NOMINAL	Ip	AMPS	1.5
FORCE SENSITIVITY	± 10%	Kf	N / A	2.6
BACK EMF CONSTANT	NOMINAL	Kb	V/M/Sec	2.6
INDUCTANCE	± 30%	L	mH	0.4
ACTUATOR PARAMETER				
PEAK FORCE @1SEC *		Fp	N	3.9
CONTINUOUS FORCE * *		Fc	N	2.1
ACTUATOR CONSTANT		Ka	N/√w	0.85
ELECT TIME CONSTANT		Te	milli-sec	0.04
POWER I2R@Fp		Pp	W	21
TOTAL STROKE		S	mm	1.0
CLEARANCE ON SIDE OF COIL		CL	mm	0.5
THERMAL RESISTANCE * * *		qth	C / W	18.9
MAX WINDING TEMP		Tmax	C	150
WEIGHT OF COIL ASSEMBLY		WTc	g	12
WEIGHT OF FIELD ASSEMBLY		WTF	g	58
WEIGHT OF ACTUATOR		WTA	g	70

1 sec @ 25C ambient
25C ambient
In free air.

REV	ECO NO.	DESCRIPTION	DRN	APP'D	Q.A	DATE
X1	...	INITIAL RELEASE	LHM	SGM		2021/3/15



3. LEAD WIRE LENGTH ARE 300MM MIN .
2. INSULATION RESISTANCE: 100 MEGOHMS MINIMUM AT 500 VDC.

▲ A POSITIVE (+) VOLTAGE APPLIED TO RED LEAD WILL PRODUCE A FORCE ON THE COIL ASSEMBLY IN POSITIVE (+) DIRECTION.

NOTES: UNLESS OTHERWISE SPECIFIED

UNLESS OTHERWISE SPECIFIED:		NAME	DATE	Tongmao Electronics
DIMENSIONS ARE IN MM TOLERANCES: ANGULAR: MACH ±0° 30' ONE PLACE DECIMAL ±0.25 TWO PLACE DECIMAL ±0.1		DRAWN	LHM 2021-3-15	
INTERPRET GEOMETRIC TOLERANCING PER: ANSI Y14.5M-1982.		CHECKED		TITLE: VOICE COIL ACTUATOR
		ENG APPR.	SGM 2021-3-15	
		MFG APPR.		SIZE B DWG. NO. TMEC0003-002-300-37E REV X1
		Q.A.		SCALE: 1: 1 SHEET 1 OF 1
DO NOT SCALE DRAWING		COMMENTS:		