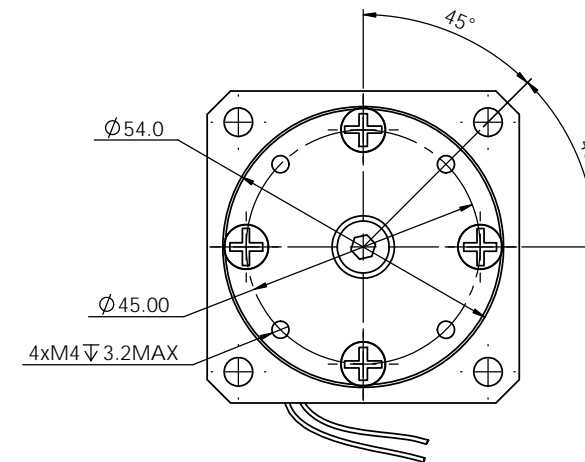
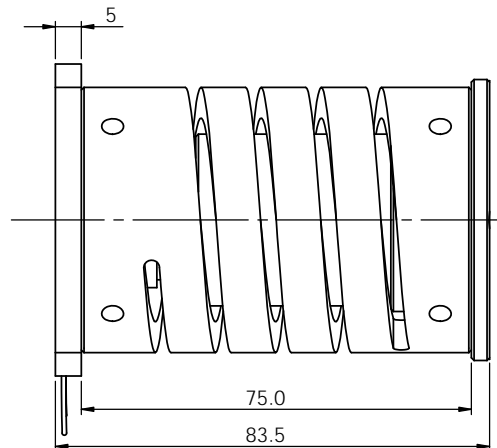
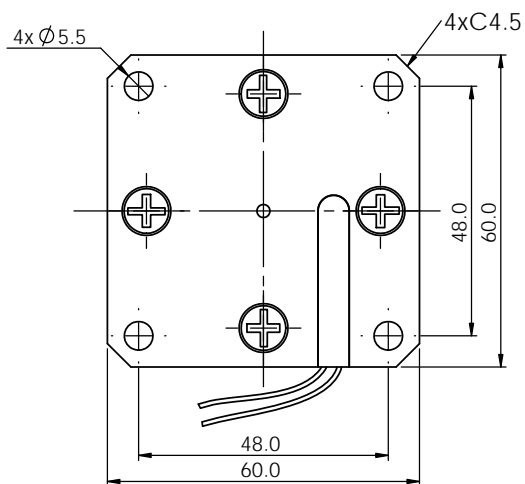
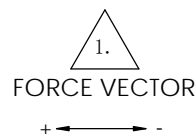
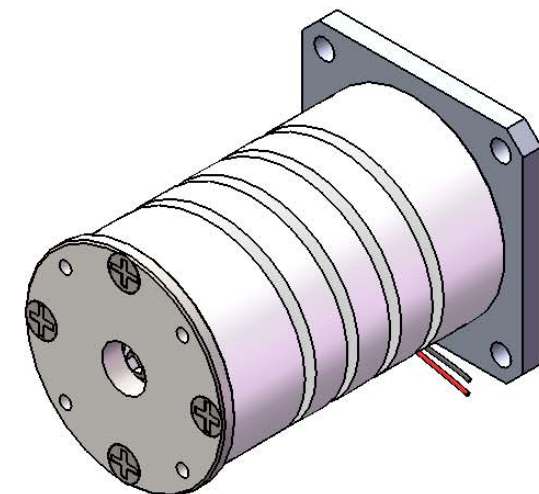


WINDING CONSTANT	TOL	SYM	UNITS	VALUE	*
DC RESISTANCE@155C	± 10%	R	OHMS	10.2	**
VOLTAGE @ Fp	NOMINAL	Vp	VOLTS	25.9	***
CURRENT @ Fp , 1SEC	NOMINAL	Ip	AMPS	2.6	
FORCE SENSITIVITY	± 10%	Kf	N / A	8.1	
BACK EMF CONSTANT	NOMINAL	Kb	V/M/Sec	8.1	
INDUCTANCE	± 30%	L	mH	1.3	
ACTUATOR PARAMETER		SYM	UNITS	VALUE	
PEAK FORCE @1SEC *		Fp	N	20.5	
CONTINUOUS FORCE **		Fc	N	8.9	
ACTUATOR CONSTANT		Ka	N/√w	2.55	
ELECT TIME CONSTANT		Te	milli-sec	0.13	
POWER I2R@Fp		Pp	W	65.3	
TOTAL STROKE		S	mm	3.0	
CLEARANCE ON SIDE OF COIL		CL	mm	1.5	
THERMAL RESISTANCE ***		qth	C / W	7.3	
MAX WINDING TEMP		Tmax	C	150	
WEIGHT OF COIL ASSEMBLY		WTc	g	110	
WEIGHT OF FIELD ASSEMBLY		WTF	g	265	
WEIGHT OF ACTUATOR		WTA	g	375	

1 sec @ 25C ambient, 150C coil temp.
25C ambient, 150C coil temp.
In free air.

REV	ECO NO.	DESCRIPTION	DRN	APP'D	Q.A	DATE
X1	...	INITIAL RELEASE	LHM	SGM		2021/10/25



3. LEAD WIRE LENGTH ARE 300MM .

2. INSULATION RESISTANCE: 100 MEGOHMS MINIMUM AT 500 VDC.

▲ A POSITIVE(+) VOLTAGE APPLIED TO RED LEAD WILL PRODUCE A FORCE ON THE COIL ASSEMBLY IN POSITIVE (+) DIRECTION.

NOTES: UNLESS OTHERWISE SPECIFIED

UNLESS OTHERWISE SPECIFIED:		NAME	DATE	Tongmao Electronics
DIMENSIONS ARE IN MM		DRAWN	LHM 2021-10-25	
TOLERANCES:		CHECKED		TITLE: VOICE COIL ACTUATOR
ANGULAR: MACH ±0° 30'		ENG APPR.	SGM 2021-10-25	
ONE PLACE DECIMAL ±0.25		MFG APPR.		
TWO PLACE DECIMAL ±0.1		Q.A.		
INTERPRET GEOMETRIC TOLERANCING PER: ANSI Y14.5M-1982.		COMMENTS:		SIZE B DWG. NO. TMEC0020-003-303-51E REV X1
		DO NOT SCALE DRAWING		SCALE: 1: 1 SHEET 1 OF 1