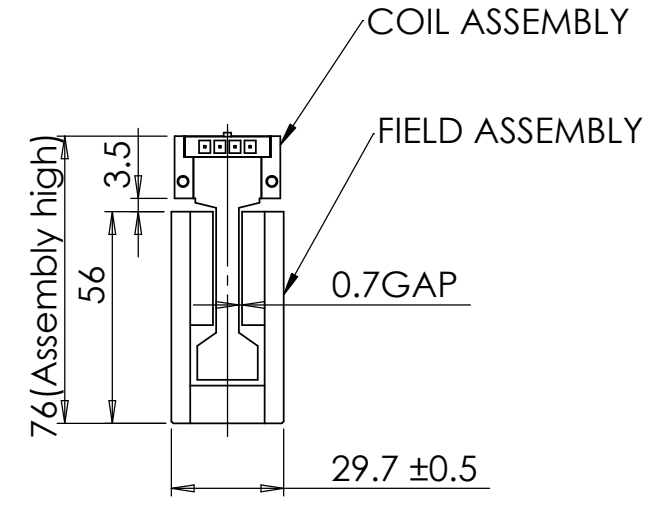
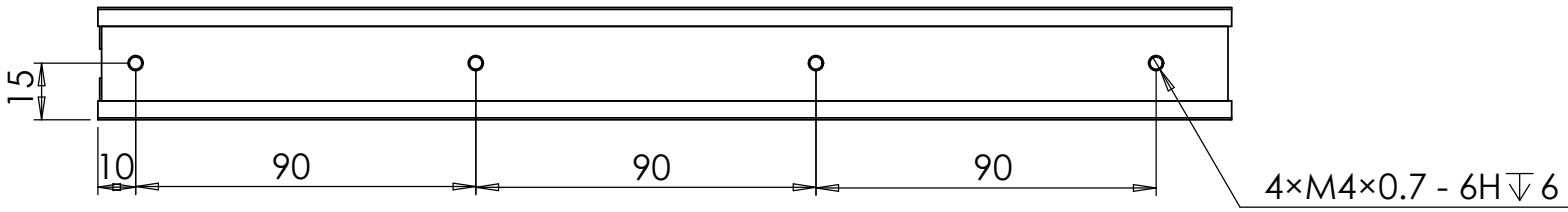
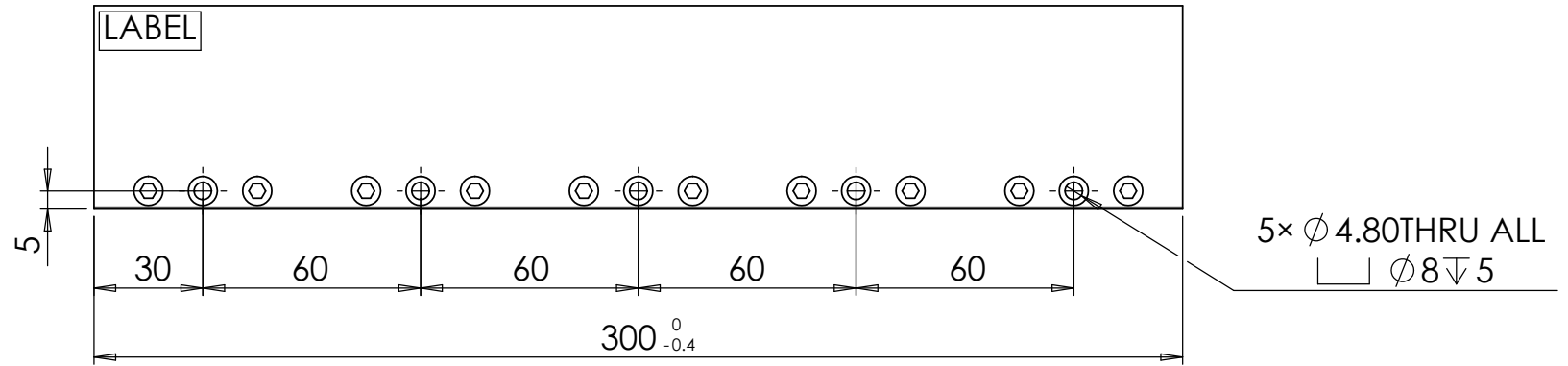
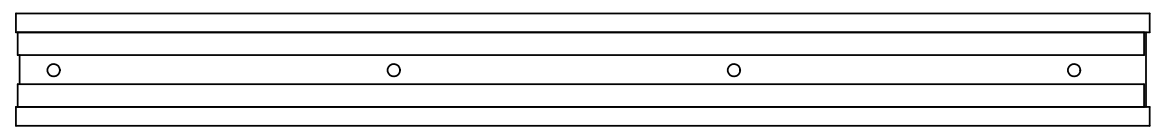


REV	ECO NO.	DESCRIPTION	DRN	APP'D	Q.A.	DATE
X1	---	INITIAL RELEASE	LHM	SGM		09/08/01



Weight of field assembly: 8.4 kg/m  
 Magnetic pole pair length: 30mm

UNLESS OTHERWISE SPECIFIED:		NAME	DATE	<b>Tongmao Electronics</b>
DIMENSIONS ARE IN MM TOLERANCES: ±0.3		DRAWN	LHM 09-08-01	
INTERPRET GEOMETRIC TOLERANCING PER: ANSI Y14.5M-1982.		CHECKED		TITLE: <h3>FIELD ASSEMBLY</h3>
		ENG APPR.	SGM 09-08-01	
		MFG APPR.		SIZE: A4 DWG. NO.: TMFA-300-000 REV: X1
		Q.A.		SCALE: 1:2 SHEET 1 OF 1
DO NOT SCALE DRAWING		MATERIAL:		