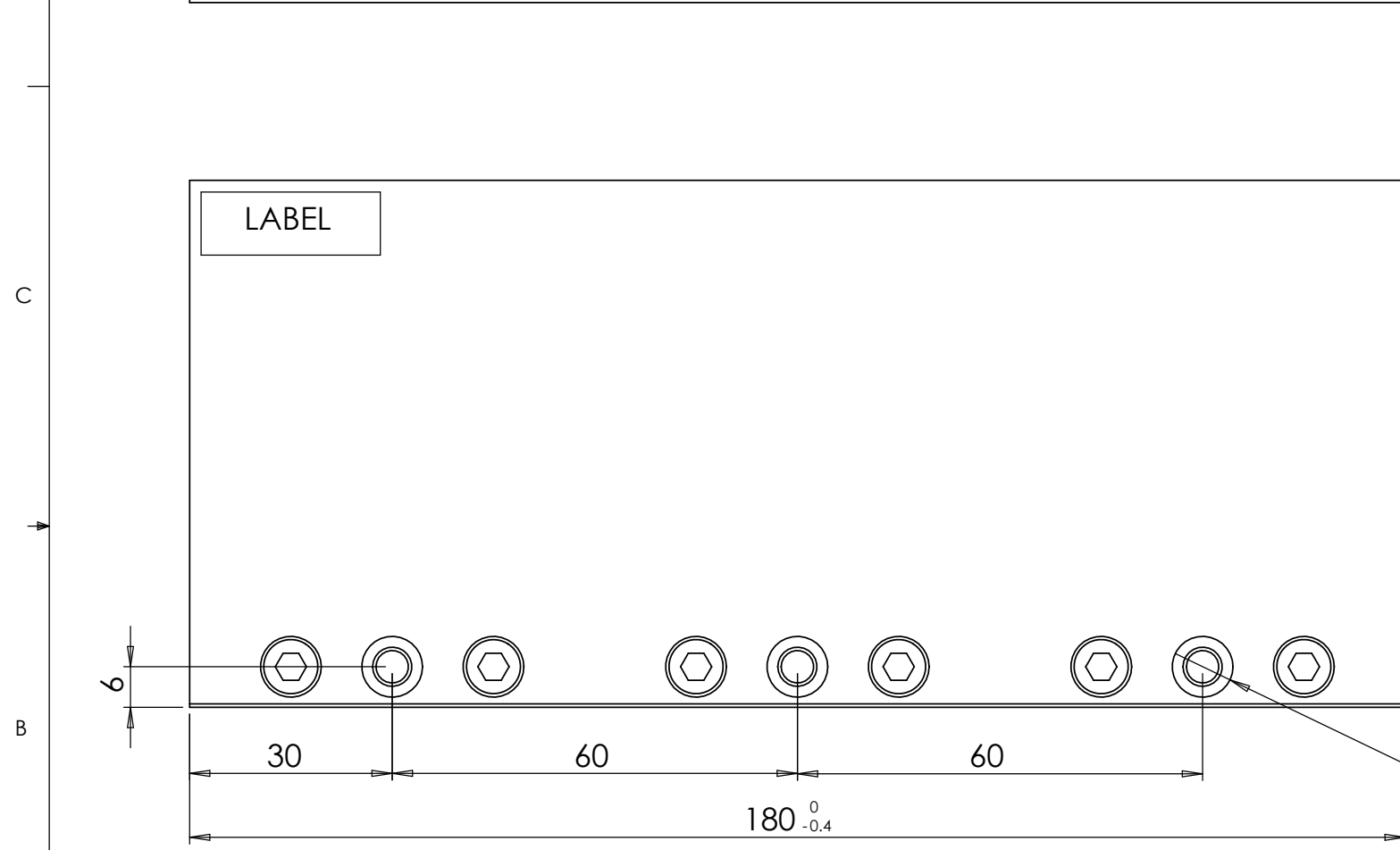
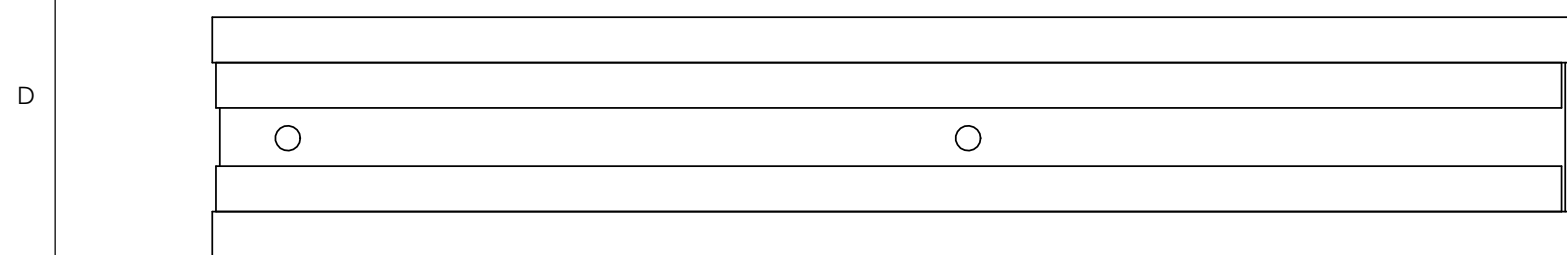
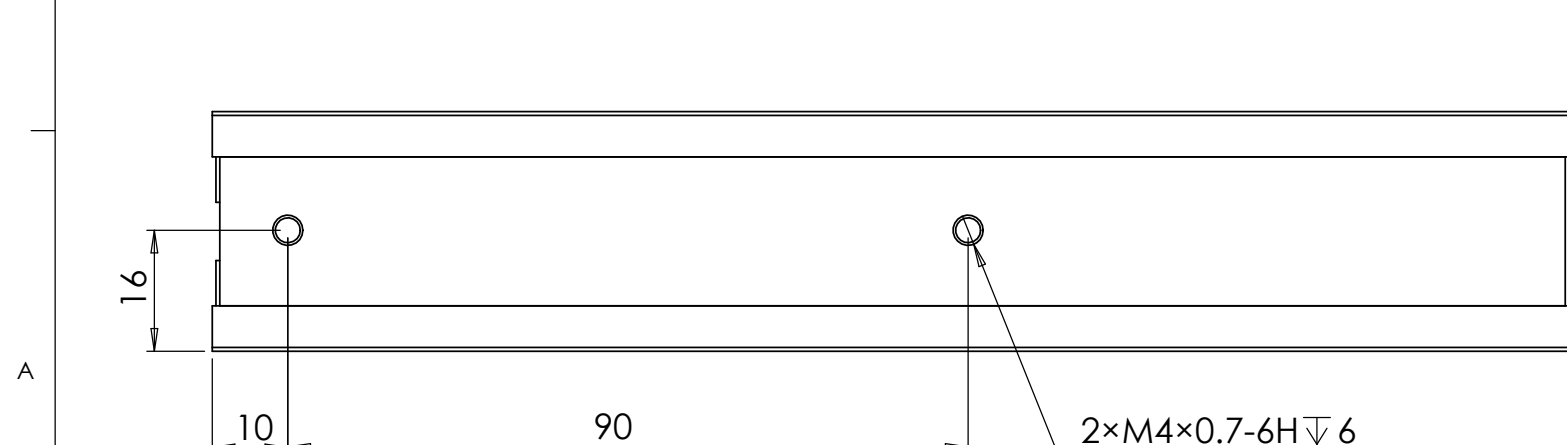


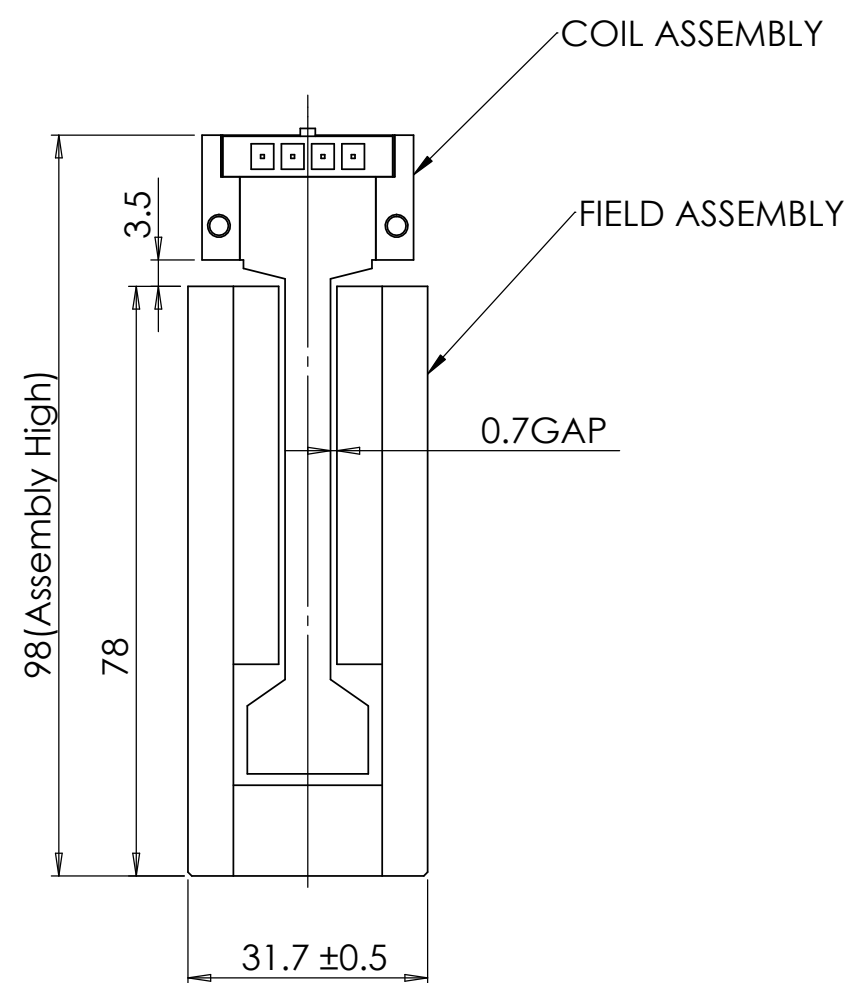
REV	ECO NO.	DESCRIPTION	DRN	APP'D	Q.A.	DATE
X1	---	INITIAL RELEASE	LHM	SGM		09/08/01



3 × Ø4.8 THRU ALL  
 $\square \text{ } \phi 9 \nabla 6$



Weight of field assembly: 13.1 kg/m  
 Magnetic pole pair length: 30mm



UNLESS OTHERWISE SPECIFIED:		NAME	DATE	Tongmao Electronics	
DIMENSIONS ARE IN MM		DRAWN	LHM	09-08-01	TITLE: <h3>FIELD ASSEMBLY</h3>
TOLERANCES: ±0.3		CHECKED			
INTERPRET GEOMETRIC TOLERANCING PER: ANSI Y14.5M-1982.		ENG APPR.	SGM	09-08-01	
		MFG APPR.			
DO NOT SCALE DRAWING		Q.A.			SIZE A4 DWG. NO. TMFB-180-00 SCALE: 1:1
		MATERIAL:			REV X1 SHEET 1 OF 1